

# \$99,900 - 0000 John Kennedy Abst 1701 Sec 6, Menard

MLS® #98097772

**\$99,900**

0 Bedroom, 0.00 Bathroom,  
Lots on 0 Acres

Cave Wells Ranch, Menard, Texas

Dont miss this beautiful property. Added Electricity. Over 20 acres with All Year Hunting!



## Essential Information

MLS® #	98097772
Price	\$99,900
Bathrooms	0.00
Acres	0.00
Type	Lots
Status	Active

## Community Information

Address	0000 John Kennedy Abst 1701 Sec 6
Area	86 - West Texas
Subdivision	Cave Wells Ranch
City	Menard
County	Menard
State	Texas
Zip Code	76859

## Interior

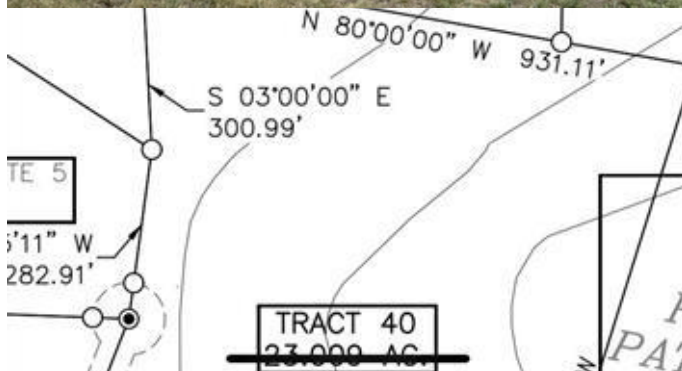
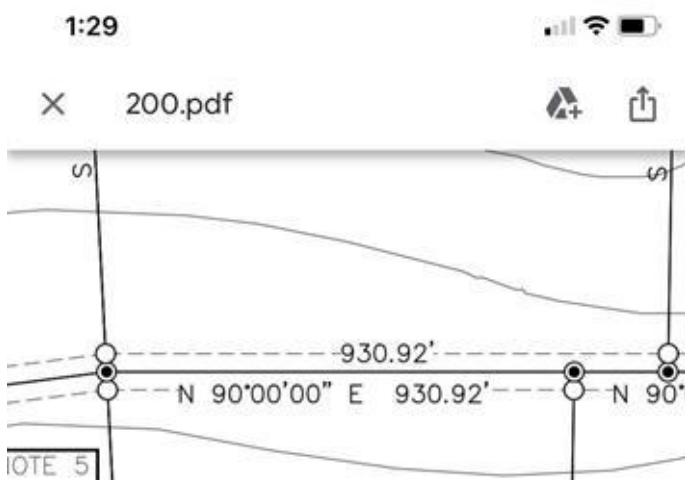
# of Stories	0.00
--------------	------

## Exterior

Lot Description	Subdivision
-----------------	-------------

## School Information

District	99 - Other
----------	------------



Elementary	MENARD ELEMENTARY SCHOOL
Middle	MENARD JUNIOR HIGH SCHOOL
High	MENARD HIGH SCHOOL

### **Additional Information**

Days on Website 218

### **Listing Details**

Listing Office Sky Real Estate Professionals

Copyright © 2020, Houston Realtors Information Service, Inc. All information provided is deemed reliable but is not guaranteed and should be independently verified. The IDX information is provided exclusively for consumers' personal, non-commercial use, it may not be used for any purpose other than to identify prospective properties consumers may be interested in purchasing. All information provided is deemed reliable but is not guaranteed accurate by the MLS and should be independently verified.

Listing information last updated on November 29th, 2020 at 10:25pm CST